

LB 700

Product is compliant with European norm PN-EN 13229 CE

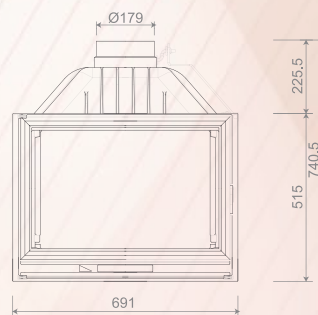
5

**YEARS
WARRANTY**



PRODUCT DESCRIPTION

- cast iron chamber
- flue collar flap
- ash box with air control system
- double back wall
- deflector
- grill
- safety fireguard
- high temperature resistant glass



TECHNICAL DATA

Output (kW)	14
Chamber width (cm)	56
Chamber depth (cm)	30
Glass size (cm)	59 x 39,5 x 0,4
Weight (kg)	132
Fuel	wood, wood brickets

